

Datasheet

Screwing Simulator

VS-PH

Screwing simulation and test bench for hydraulic tools



test of hydraulic screw drivers

test of rotating screw drivers



Delivery without test items and counter holder

Features

- Monitoring of test equipment according to DIN EN ISO 9000ff
- Setting and checking tools before screwing
- Creation of torque tables
- Standard square according to DIN 3121-H 25 & 40 (1 „& 1 ½“)
- Interchangeable support blocks for the screwdriver's counter holder
- Portable testing device
- Housing made of high-strength aluminum
- Housing surface is hard anodized for protection.
- EMC-tight housing

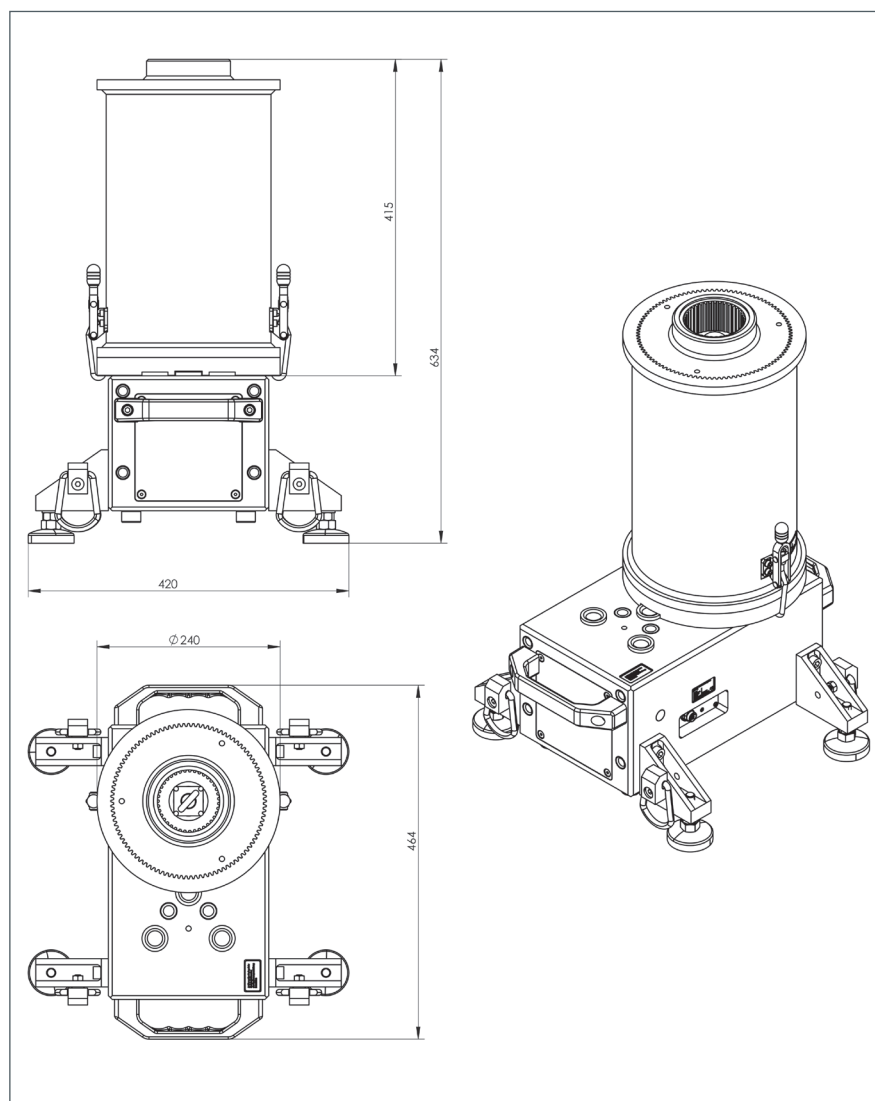
Using the screwing simulation VS-PH you can check the accuracy of repetition with rotating screw drivers. By unmounting the screwing simulator and mounting the retention block the screwing simulator VS-PH can be used as a test device for hydraulic tools. So it is possible on a simple manner to preset hydraulic tools, to create tables for torque or to check the power range of a tool. In combination with the evaluation device GMV2 the detected values for torque can be shown

and documented. Tools with square drive according to DIN 3121 can be put on directly. For to adapt different tools we supply the adapters needed. Various adapters for tools with hexagonal drive are available (See data sheet PH-hexagonal adapter). Special adapters are available on demand

Technical Specification

Measurement range:	10 kNm (other measurement ranges on demand)
Type:	(a)ktiv
Supply voltage:	12V DC \pm 10%
Current consumption:	approx. 20mA
Voltage output:	0- \pm 5V
Nonlinearity:	< 0,5 %
Hysteresis:	< 0,1 %
Deviation at zero point:	\pm 100 mV
Compensated temp. range:	5 - 45 °C
Working temperature:	0 - 60 °C
Temperature fault	
Zero point:	0,02 % / K
Sensitivity:	0,01 % / K
Mechanical overload:	50 %
Weight:	approx. 110 Kg
Connection:	12 pin Connector
Protection:	IP 40 (DIN 40050)

Mechanical Dimension



Available adapters:

See data sheet PH-hexagonal adapter-
Not quoted adapters on demand.

Ordering example:

VS-PH-10a-1 ½"

Torque transducer 10 KNm active with
1 ½" Inner square

Available accessories

Adapter
Measurement cables,
Evaluation device Type GMV2