

Screwing simulator and test device for hydraulic tools Type VS-PH

test of hydraulic screw drivers



test of rotating screw drivers



Delivery without specimen
and torque support block

Suitable for:

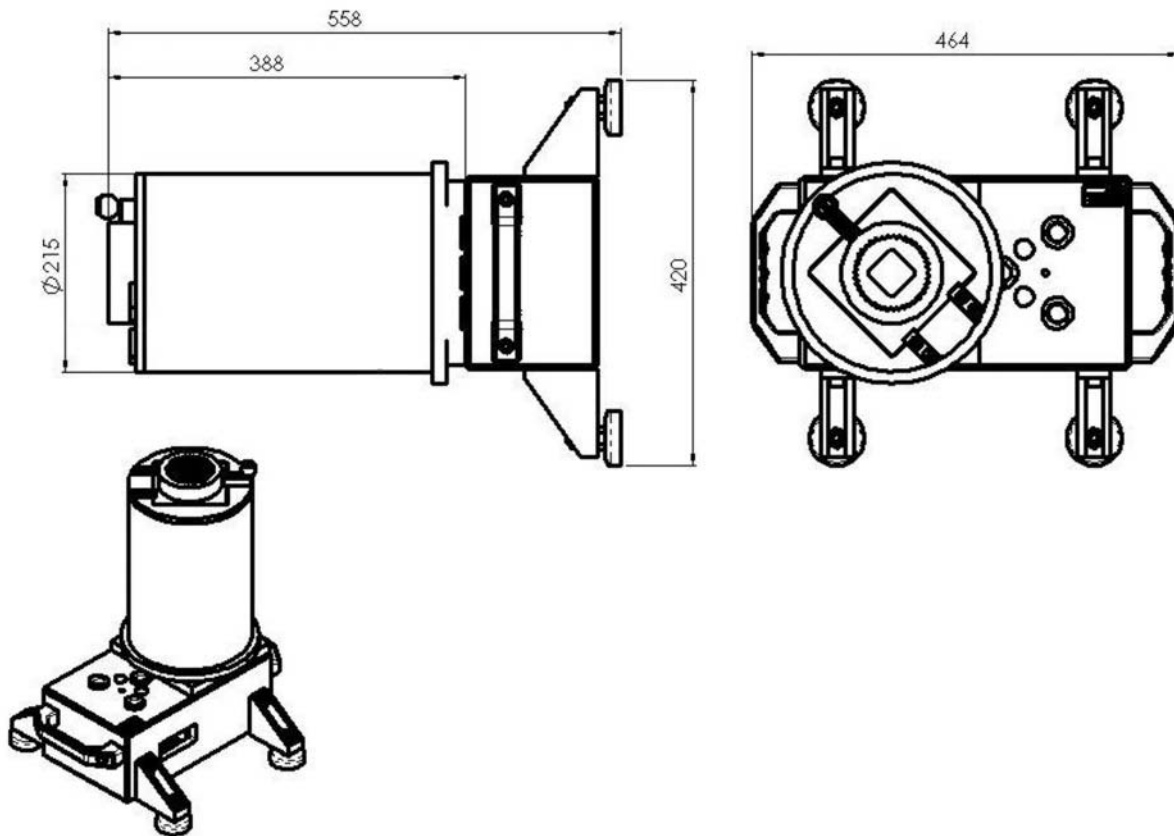
- Adjustment and testing of tools before screwing
- Creation of tables for torque
- Surveillance of test devices according to DIN EN ISO 9000ff

Description:

Using the screwing simulation VS-PH you can check the accuracy of repetition with rotating screw drivers. By unmounting the screwing simulator and mounting the retention block the screwing simulator VS-PH can be used as a test device for hydraulic tools. So it is possible on a simple manner to preset hydraulic tools, to create tables for torque or to check the power range of a tool.

In combination with the evaluation device GMV2 the detected values for torque can be shown and documented. Tools with square drive according to DIN 3121 can be put on directly. For to adapt different tools we supply the adapters needed. Various adapters for tools with hexagonal drive are available (See data sheet PH-hexagonal adapter). Special adapters are available on demand.

Mechanical Dimensions:



Technical Data:

| | |
|--------------------------|---|
| Measurement range: | 10 kNm (other measurement ranges on demand) |
| Type: | (a)ctive |
| Supply voltage: | 12V DC \pm 10% |
| current consumption: | ca. 20mA |
| Voltage output: | 0- \pm 5V |
| Nonlinearity: | <0,5 % |
| Hysteresis: | <0,1 % |
| Internal resistance: | --- |
| Compensated temp. range: | 5-45°C |
| Working temperature: | 0-60°C |
| Temperature fault | |
| Zero point: | 0,02 % / K |
| Sensitivity: | 0,01 % / K |
| Mechanical overload: | 50% |
| Weight: | approx. 110 Kg |
| Connection: | 12 pin Connector |
| Protection: | IP 40 according to DIN 40050 |

Available adapters: See data sheet PH-hexagonal adapter

Not quoted adapters on demand.

Ordering example: VS-PH-10a-1 1/2"

Torque transducer 10 KNm active with 1 1/2" Inner square

available accessories: Adapter, measurement cables, evaluation device Type GMV2

ETH messtechnik gmbh Hagstrasse 10 D-74417 Gschwend Tel.: +49(0)7972-9310-0 Fax: -50 www.eth-messtechnik.de info@eth-messtechnik.de

Technical changes reserved