

DC-DC Transformer TS35

Type 241233 / 241527

for Power supply
for Torque Transducers



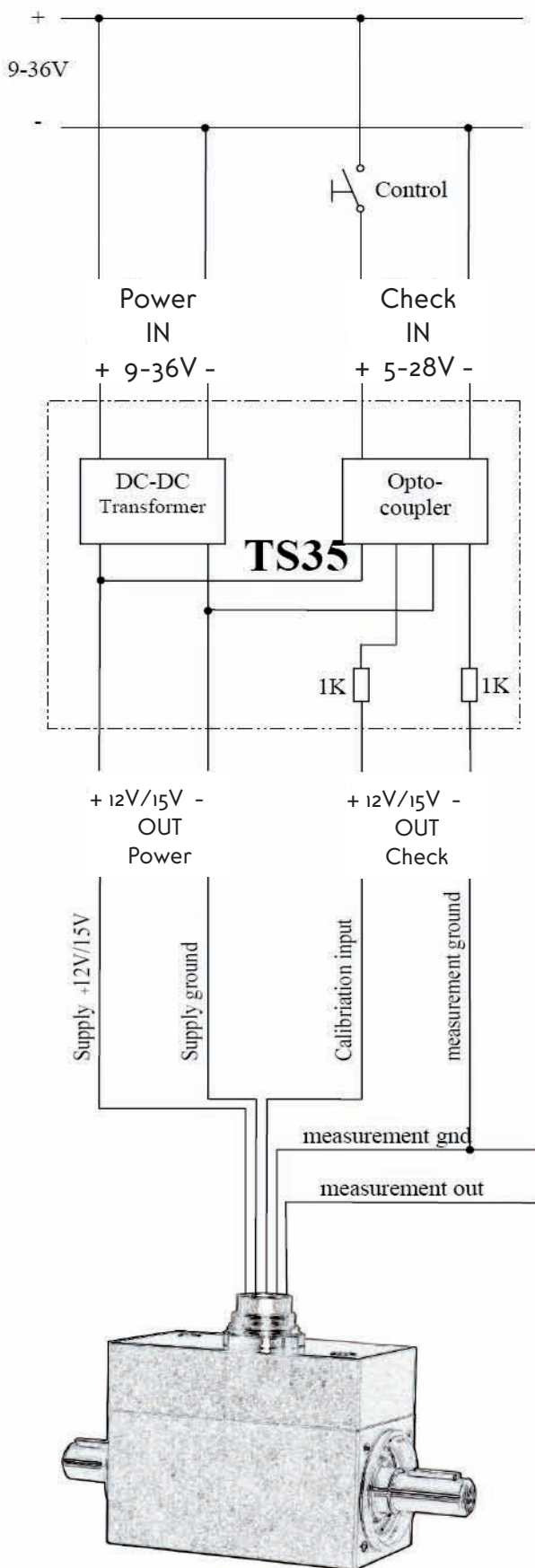
Possibilities of use:

- As Interface between SPS- control unit and torque transducers.
- for voltage stabilization for torque transducer on floating power supply (9-36V e.g. in automobile industry).
- for galvanic isolation between supply voltage and control input.
- all-purpose also to supply other units with 12V / 15V supply voltage and up to 300mA / 240mA current consumption.

Characteristics:

- Voltage input range 9-36V
- Galvanic ground separation between Power IN and Power OUT
- Stabilized voltage output 12V / 15V
- Input protection of false polarity
- Short-circuit-proof
- Wide input range (5-28V) test signal for transducer calibration
- Galvanic separation between Check IN, Check OUT and Power IN
- Adaptable to standard carrier bar TS35
- Width only 23mm
- Output monitoring Power and Check OUT

Example of connection:



Technical data:

Input voltage:	9-36V DC
Output voltage:	Typ 241233 Typ 241527 12V DC 15V DC
Output electric current:	300mA 240mA
Efficiency:	80%
Radio-interference:	EN 55022 class A
Working temperature:	0 bis +45°C
Output ripple:	50mVss
Voltage accuracy:	±1,0%
Deviation:	±0,3%
Temperature coefficient:	±0,02% / °C
Insulation resistance:	1000M Ohm
Control input (min.-max.)	
nominal:	5V / 1mA – 28V / 15mA
limits:	4 / 36V
Control output	12V (1K / 12mA) 15V(1K / 15mA) (2K / 6mA) (2K / 7,5mA) je nach Ausgangsbeschtaltung
Case:	
Material:	ABS
Colour:	grey similar RAL 7035
Protection:	IP 40
Fastening:	at 35mm carrier bar
Dimension:	75 x 22,5 x 110 (HxBxT)
Weight:	120g
Example for order:	TS35 - 24 12 33