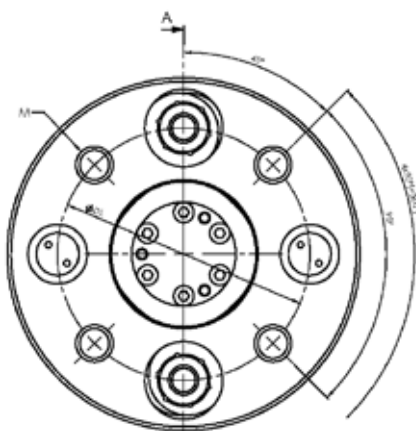
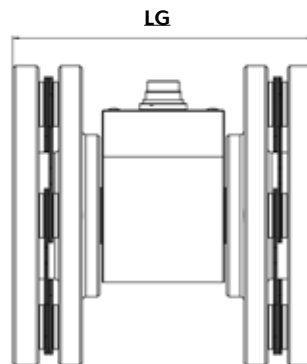
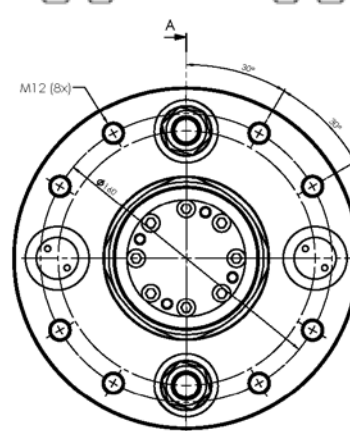


Steel Disc Coupling Type SLR

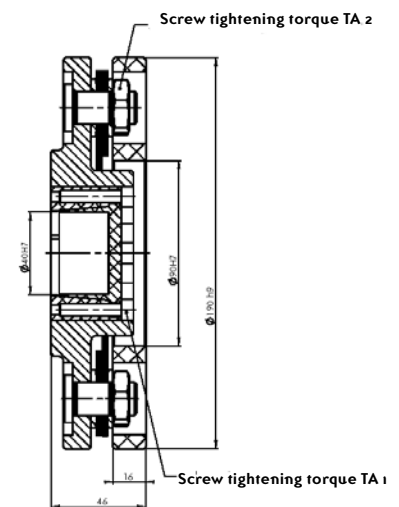
- backlash-free
- torsion proof
- compact design
- suited for space-restricted installations



Size 32 und 48



Size 65



Type		SLR 32	SLR 48	SLR65
max. Torque [Nm]		28	214	1142
Overall length L [mm]		38,5	37	46
length L ₁ [mm]		11	11	16
Overall length with Sensor LG [mm]		127	128	160
Outer diameter D [mm]		95	135	190
Hole circle diameter DL [mm]		68	100	160
Bore diameter d ₁ [mm]		39	65	90
Bore diameter d ₂ [mm]		15	24	40
max. Speed [min ⁻¹]		20.000	14.000	10.000
Screw tightening torque TA ₁ [Nm]		1,9	8,5	18
Screw tightening torque TA ₂ [Nm]		18	20	70
female screw thread M		4xM10	4xM12	8xM12
max. offset of shafts	axial [mm]	1,25	1,75	1,75
	angular [degrees]	1	1	1
Spring clip stiffness [10 ⁶ Nm/rad]		0,15	0,25	0,95
Mass moment of inertia [kgcm ²]		14	50	350
Weight [g]		1600	3700	9500