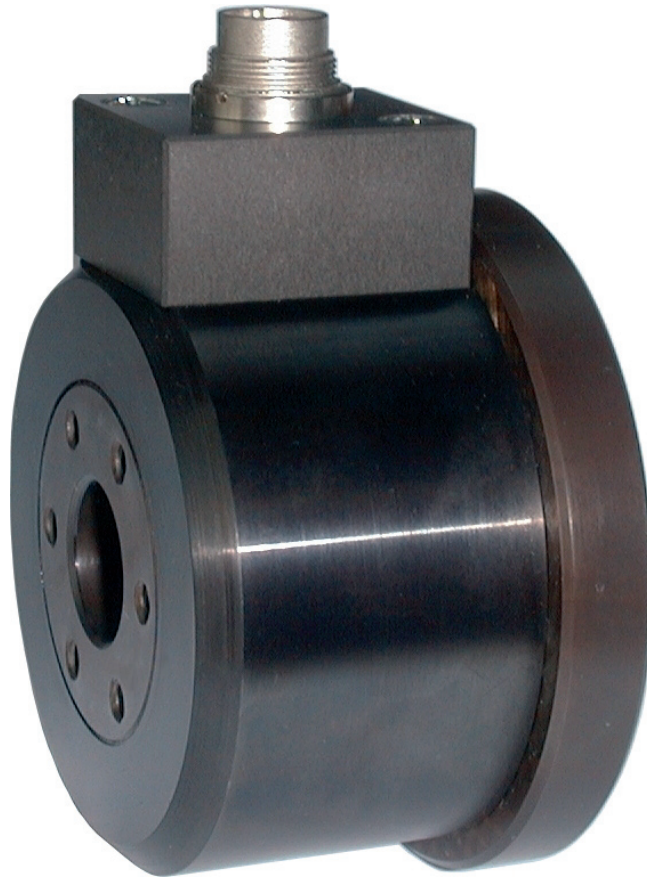


Torque Transducer Type DRT2 for static Application



Special features:

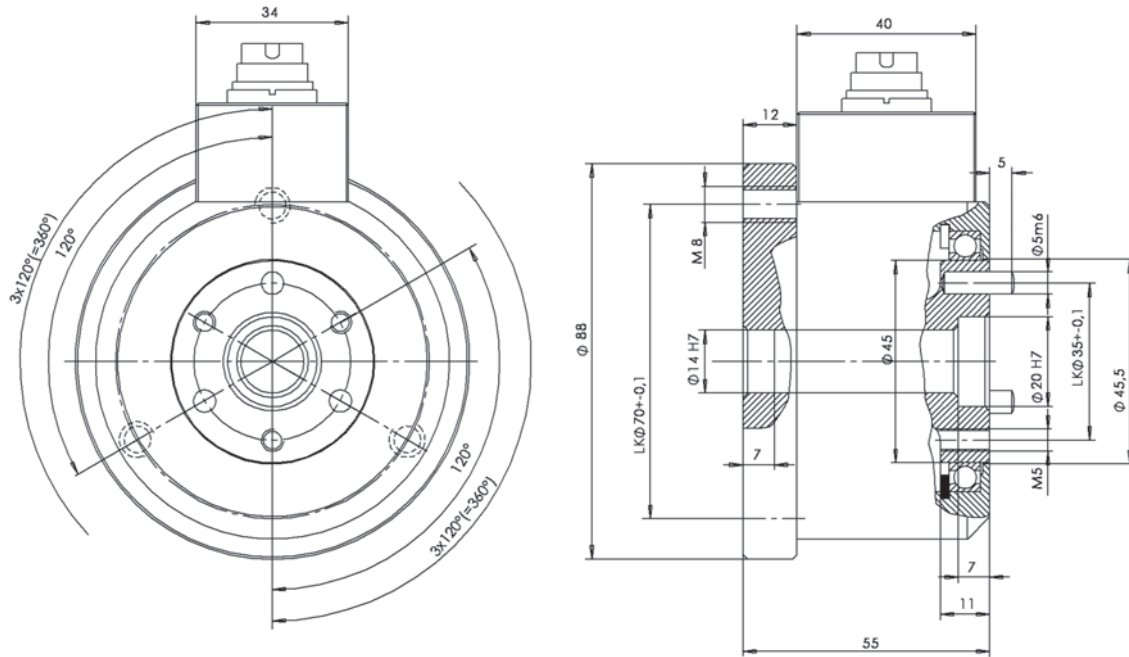
- insensitive to bending forces
- extra rugged construction
- exchangeable connectors

Description:

The torque sensor DRT 2 was developed for measuring of non rotating torque. This sensor can be mounted in any position. For adaption the specimen, different connectors are available.

The measuring shaft is protected from bending forces because of strain gauges in special configuration and an additional bearing.

Mechanical dimensions:



Technical Data:

Type:	(p)assive	Permissible Load		
Measurement Range:	50; 100; 200; 300Nm	Measurement Range (Nm)	Axial (N)	Radial (N)
Supply Voltage:	12 V max.			
Current Consumption:	35 mA max.	50	2040	430
Voltage Output:	1 mV/V	100	2830	430
Nonlinearity:	<0,1 %	200	4070	430
Hysteresis:	<0,1 %	300	5150	430
Internal Resistance:	350 Ω nominal			
Compensated Temperature Range:	5-45°C			
Operating Temperature:	0-60°C	Available Connectors:		
Temperature fault		Hexagonal Connector:		
Zero Point:	0,02 % / K	SW13 bis SW21 DIN ISO 272		
Sensitivity:	0,01 % / K	Square Connector:		
Mechanical Overload:	100%	3/8" DIN 3121-H		
Connection:	6 pin Connector	1/2" DIN 3121-H		
Protection:	IP 40 DIN 40050			

1. Ordering Example: DRT2 p-50-SW17

Torque transducer passive, measuring range 50 Nm, Hexagonal Connector SW17 DIN ISO 272

Please ask for connectors not listed above.

Available Accessories: Connectors, measuring cable, supply and display units