

Reaction torque transducer Type DRT2 for static application



Suitable for:

- test of pulsed tools
- torque wrenches
- electric screwdriver

Special features:

- insensitive for bending force
- for fixed mounting
- replaceable adapter

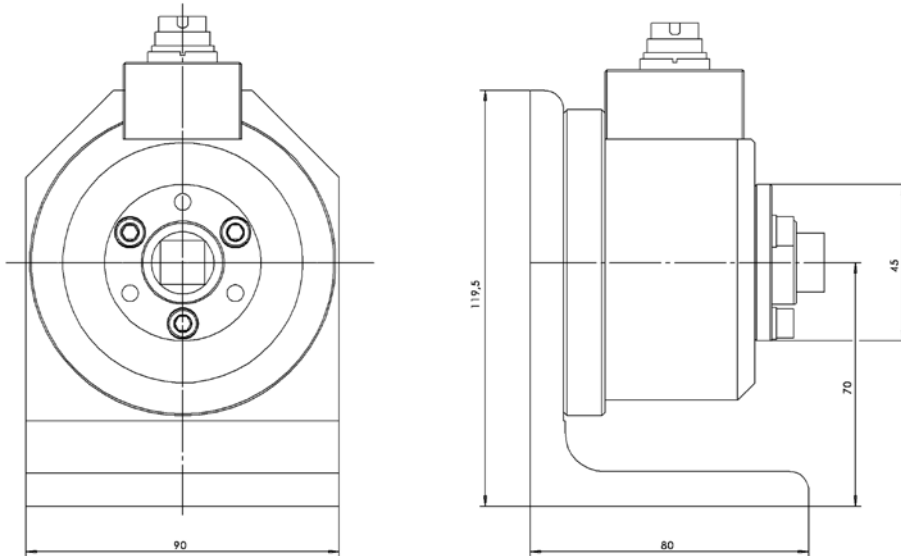
Description:

This transducer was developed for static test of pulsed tools, torque wrenches, electric screwdrivers and so on. In combination with the universal torque meter GMV2 it is possible to detect the first peak of a measurement to prevent falsifying of measurement values by overdrawing of a torque wrench.

According to the tool to be tested, it can be arranged any way you like.

For connect the tools are various adapters available. The shaft of the torque transducer are insensitive for bending force, because of specially applied strain gage bridges and additional ball bearings.

Mechanical dimensions:



Technical Data:

Type:	(a)ctive	(p)assive	Permissible Load					
Measurement Range:	50; 100; 200; 300Nm	50; 100; 200; 300Nm	Measurement Range (Nm)	Axial (N)	Radial (N)			
Supply Voltage:	12V DC+/-10%	12 V max.						
Current Consumption:	approx. 20 mA	35 mA max.				50	2040	430
Voltage Output:	0- ±5V	1 mV/V				100	2830	430
Nonlinearity:	<0,1 %	<0,1 %				200	4070	430
Hysteresis:	<0,2 %	<0,1 %				300	5150	430
Internal Resistance:	---	350 Ω nominal						
Compensated Temperature Range:	5-45°C	5-45°C						
Operating Temperature:	0-60°C	0-60°C	Available Connectors:					
Temperature fault								
Zero Point:	0,02 % / K	0,02 % / K	Hexagonal Connector:					
Sensitivity:	0,01 % / K	0,01 % / K	SW13 bis SW21 DIN ISO 272					
Mechanical Overload:	100%	100%	Square Connector:					
Connection:	12 pin Connector	6 pin Connector	3/8" DIN 3121-H					
Protection:	IP 40 DIN 40050	IP 40 DIN 40050	1/2" DIN 3121-H					

1. Ordering Example: **DRT2 p-50-SW17**

Torque transducer passiv measuring range 50 Nm Hexagonal Connector SW 17 DIN ISO 272

2. Ordering Example: **DRT2 a-50-A-SW17**

Torque transducer aktiv measuring range 50 Nm Hexagonal Connector SW 17 DIN ISO 272

Please ask for connectors not listed above.

Attention: To order for supply and display unit type GMV1 without index „A“!

Available Accessories: Connectors, measuring cable, supply and display unit, screwing simulators

ETH messtechnik gmbh Hagstrasse 10 D-74417 Gschwend Tel.: +49(0)7972-9310-0 Fax: -50 www.eth-messtechnik.de info@eth-messtechnik.de

Technical changes reserved