

Reaction torque transducer Type DRT₁ for static application



Suitable for:

- test of pulsed tools
- torque wrenches
- electric screwdriver

Special features:

- insensitive for bending force
- for fixed mounting
- replaceable adapter

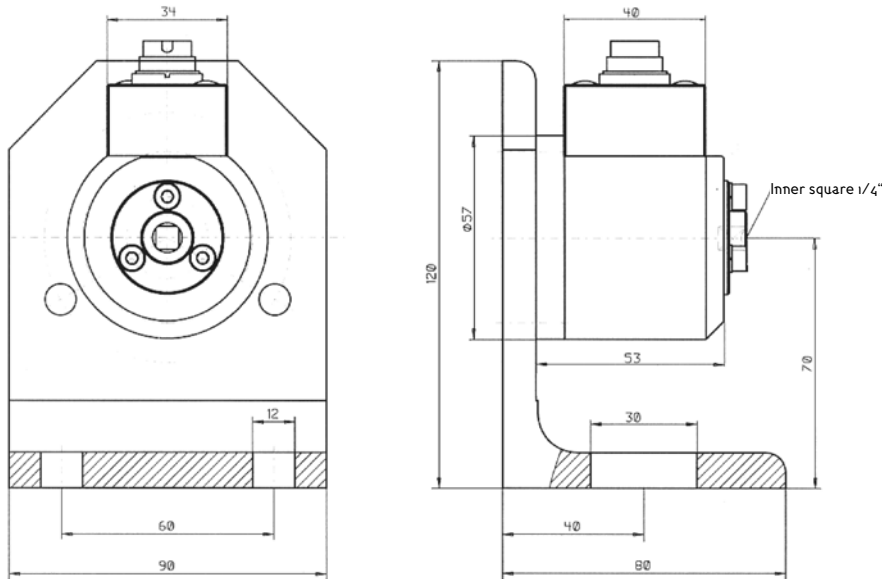
Description:

This transducer was developed for static test of pulsed tools, torque wrenches, electric screwdrivers and so on. In combination with the universal torque meter GMV2 it is possible to detect the first peak of a measurement to prevent falsifying of measurement values by overdrawing of a torque wrench.

According to the tool to be tested, it can be arranged any way you like.

For connect the tools are various adapters available. The shaft of the torque transducer are insensitive for bending force, because of specially applied strain gage bridges and additional ball bearings.

Mechanical dimensions:



Technical Data:

Type:	(a)ctive	(p)assive	Permissible Load		
Measurement Range:	2; 5; 10; 12; 20Nm	2; 5; 10; 12; 20Nm	Measure- ment Range (Nm)	Axial (N)	Radial (N)
Supply Voltage:	12V DC+-10%	12 V max.			
Current Consumption:	approx. 20 mA	35 mA max.	2	175	290
Voltage Output:	0- ±5V	1 mV/V	5	330	290
Nonlinearity:	<0,1 %	<0,1 %	10	510	290
Hysteresis:	<0,2 %	<0,1 %	12	550	290
Internal Resistance:	---	350 Ω nominal	20	820	290
Compensated Temperature Range:	5-45°C	5-45°C	Available Connectors:		
Operating Temperature:	0-60°C	0-60°C			
Temperature fault			Hexagonal Connector:		
Zero Point:	0,02 % / K	0,02 % / K			
Sensitivity:	0,01 % / K	0,01 % / K	Square Connector:		
Mechanical Overload:	100%	100%			
Connection:	12 pin Connector	6 pin Connector	1/4" DIN 3121-H		
Protection:	IP 40 DIN 40050	IP 40 DIN 40050			

1. Ordering Example: **DRT1 p-10-SW13**

Torque transducer measuring range 10 Nm passiv Hexagonal Connector SW13 DIN ISO 272

2. Ordering Example: **DRT1 a-10-A-SW13**

Torque transducer measuring range 10 Nm aktiv Hexagonal Connector SW13 DIN ISO 272

Please ask for connectors not listed above.

Attention: To order for supply and display unit type GMV1 without index „A“!

Available Accessories: Connectors, measuring cable, supply and display unit, screwing simulators