

Torque Transducer Type DRFDN₁; DRFDN₁-w; DRFDS₁; DRFDS₁-w

with digital output

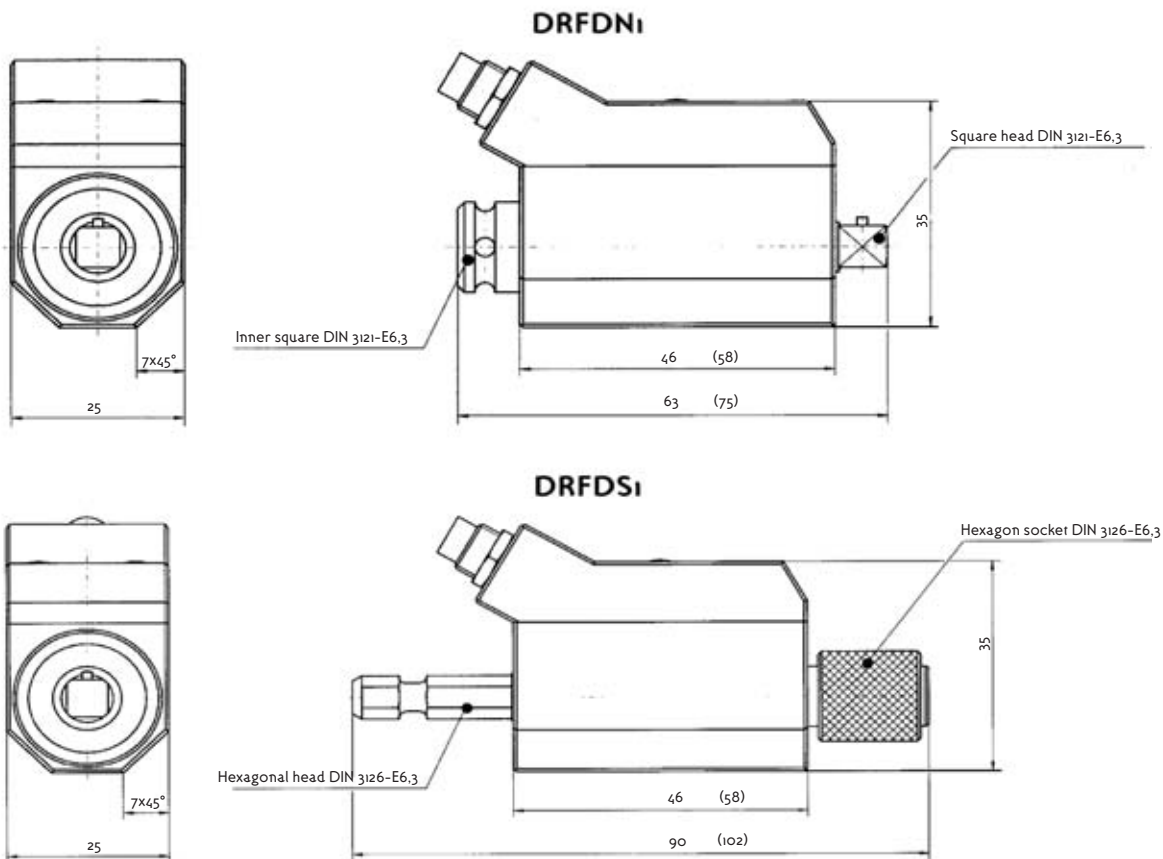


**for automobile manufacturing, test bench and assembly applications,
suitable for pulsed tools**

It distinguishes with the following special features:

- No service needed because of contactless data acquisition
- Digital output and strain gage principle cause high accuracy
- Reduced current consumption
- High interference rejection because of digital signal
- Very compact outline

Mechanical dimensions:



For option angle, use the dimensions in (brackets)

Technical Specifications:

Measurement Range:	0,5; 1; 2; 5 Nm
Supply Voltage:	12V DC +-10%
Current Consumption:	< 150 mA
Accuracy:	0,25% from full scale
Nonlinearity:	<0,15%
Hysteresis:	<0,1%
Operating Temperature:	0-60°C
Compensated Temperature Range:	5-45°C
Temperature fault	
Zero Point:	0,02%/K
Sensitivity:	0,01%/K
Mechanical Overload:	100%
rev.max.:	10 000 1/min
Weight:	ca. 180 g
Connection:	8 Pin Fitted Connector

Option:

Angle	(w)
rev. max.:	3 000 1/rpm
Output:	open collector
internal pull up:	10kΩ (5V level)
external pull up:	24Vmax
I max:	20 mA
Pulses/rev.:	360
Resolution:	1°

Direction detection:

90° phase shift,
Ch. A preceding at right spin of propulsion side

Ordering Example: DRFDS1-5-w

Torque-transducer (standard square) range 5 Nm with angle detection

Accessories:	D/A-Converter for an amplified analog signal, supply and display unit GMV2 Measurement cable 2m
--------------	---