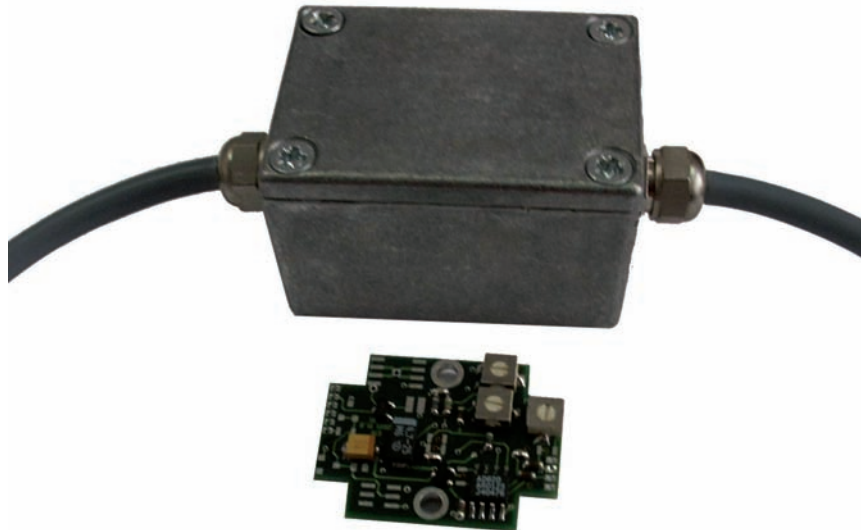


# Amplifier unit

## Type DMSVE

for feeding of Strain Gauge Bridges  
and for signal amplifying



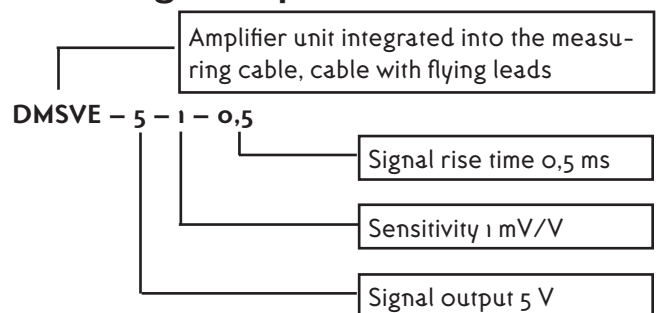
### Technical Data:

Supply voltage:	10-18V DC at $U_a = \pm 5V$ 12-18V DC at $U_a = \pm 10V$
Signal output:	$\pm 5V \pm 10V$
Input sensitivity:	0,2 mV/V to 5 mV/V
Residual ripple:	< 50 mVss
Nonlinearity:	< 0,04%
Temperature Fault:	
Zero Point:	$\leq 0,02\%/K$
Sensitivity:	$\leq 0,01\%/K$
Control input:	from 3,5 V to USupply
Signal rise time:	0,5ms / 1ms / 2ms (10% - 90%)
Compensated Temperature	
Range:	5 - 45°C
Operating Temperature:	0 - 60°C
Load resistor on Output:	$\geq 10k\Omega$ (short-circuit-proof)
Strain Gauge feeding:	7 V ( $\geq 350\Omega$ );
Cable length:	2,0m Signal input 0,5m Signal output

### Options available:

Connection with fitting flange connectors  
Strain Gauge feeding: 5 V ( $\leq 350\Omega$ )  
Supply voltage: 17-30 V DC  
memory chip for recognition of the sensor data  
using a GMV2 (Measurement range, Output voltage, Serial number, calibration data)  
Built-in version (circuit board only) DMSV1

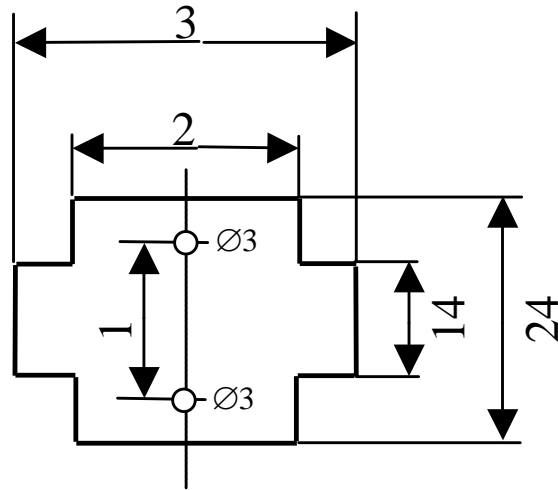
### Ordering example::



available accessory: Coupler connector, portable socket-outlet

## Mechanical Dimensions:

### Circuit board DMSV<sub>1</sub>



### Amplifier unit DMSVE

